

MANUAL SWEEPER GUIDE

Model 950



Please make sure you read the instruction manual below and clear the operation before you use this sweeper.

BEFORE STARTING

This Guide provides necessary instructions on machine operation and maintenance.

Before operation or use of this machine, please carefully read and understand this Guide.

When ordering the replacement parts, please refer to the spare and accessory parts manual attached to the machine.

Before matching parts or accessories, please firstly determine your machine model and serial number. You can order parts and accessories from any authorized service center or dealer by telephone or mail. This machine can provide excellent service. If the following can be further done, the optimum efficiency can be obtained with the lowest cost:

- Carefully operate the machine.
- Maintain the machine according to the maintenance instructions provided in the operation manual.
- Use the OE or same-grade parts for maintenance.



Protect the environment

Please dispose the old machine components such as packaging material, battery, etc. and toxic liquid such as anti-freezing agent and oil according to your local regulations on waste disposal and on the premise of maintaining the environmental safety. Please ensure to carry out the recycling well.



PRECAUTIONS

This machine is suitable for industrial and commercial use and specially used for cleaning indoor hard floor instead of other purposes.

Please use the suggested scouring pad and brush as well as the commercially available floor cleaner suitable for this machine.

All operators must read, understand and observe the following safety precautions.

The following are explanation for safety warning signs and [for safety] headlines used in this Guide:

Warning: for warning of risks possibly causing personnel injury or death or unsafe operations.

For safety: point out matters which must be observed when using the machine to guarantee safety.

If the following warnings are not observed, it may cause: personnel injury, electric shock, fire or explosion.

Warning: fire or explosion hazard:

-Do not use flammable liquid; do not operate the machine close to or in the place where there is flammable liquid, air or dust.

- Please do not pick up flammable materials or reactive metals.

Warning: Do not bring closer when the brush is working.

SAFETY RULES

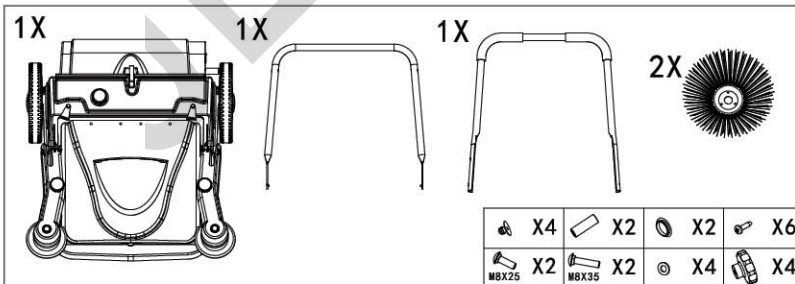
WARNING: Please read this guide before using the machine.

- Please read the labels on the machine very well. Cover the labels in no way and please change it if it has been damaged.
- This machine can be used only by people who are qualified.
- Please keep away this machine from your children and be careful while using this machine at the places which are close to people and children.
- Place this machine backwards or on its side in no way.
- Never use this machine at places that have risk to explode.
- Never use this machine for transporting anything.
- Please do not vacuum something such as razor blade,nail and explosive materials (gasoline,alcohol etc..)
- This machine is not suitable for cleaning dangerous dust.
- Please use an extinguisher including dust instead of water in the event of fire.
- Please do not crash shelves if the things have risk to fall.
- Please avoid to operate this machine at the uneven and dusty places.
- Please ensure that poor maintenance doesn't causes to that problem if you it would be lived some problem while the machine is operating. And after that, please call to the closest EDIT ENDÜSTRİYEL service center.
- Please ask original spare parts for LABOORY-LABOMAT from authorized agent or dealer if you need to change them.
- Please use only original LABOORY-LABOMAT brushes.
- Never take down protective parts which are needed equipment to be taken down.
- Never clean this machine as using pressure water, fountain or corrosive matter directly.
- Please provide to be placed all covers at the way it is shown on guide.
- Please ensure that dust bag is empty before you take dust bag.
- This machine is not designed for (including children) physically handicapped, deaf, mentally handicapped and not-authorized people. That's kind of people should be guarded by responsible person for their safety if they need to use this machine.

SPECIFICATION

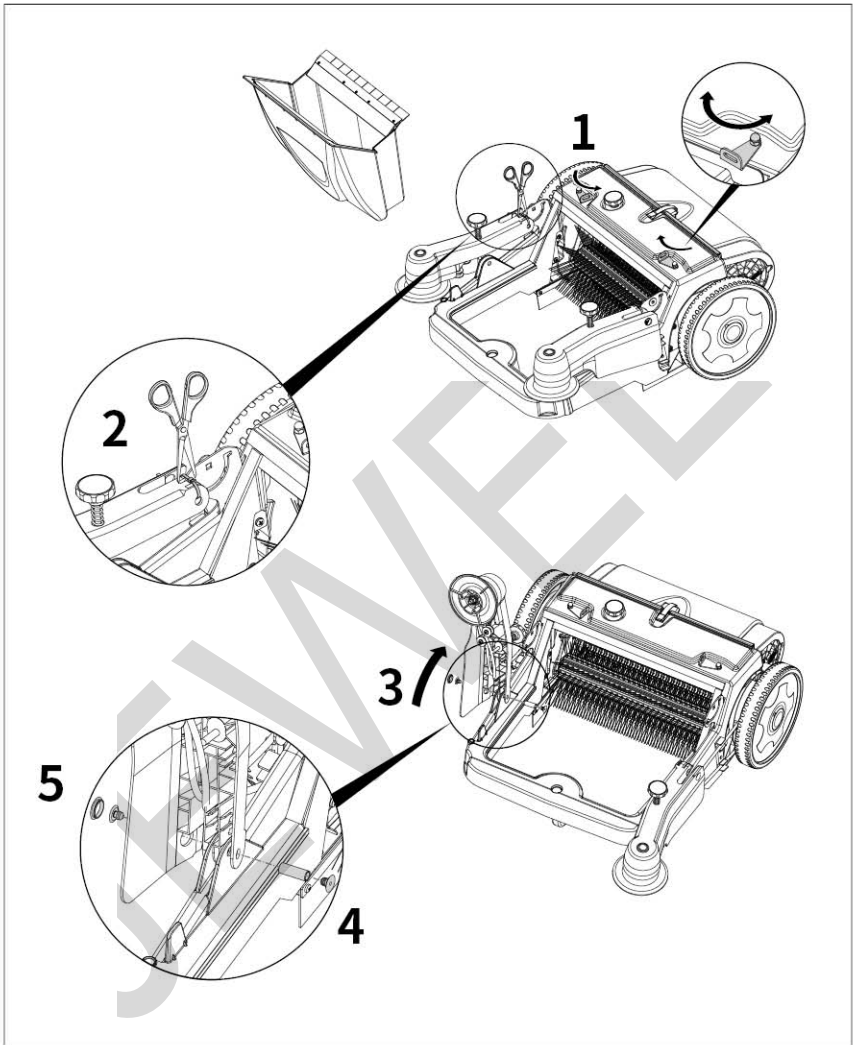
Working width	950mm
Container Capacity	45L
Maximum Theoretical Area Performance	3800m ² /h
Net weight	25kg
Dimension (folded)	880x800x390 mm

STANDARD PRODUCTS AND SPARE PARTS IN THE BOX



Sweeper body
 Handle and bolts
 Side brush and screws

HOW TO USE



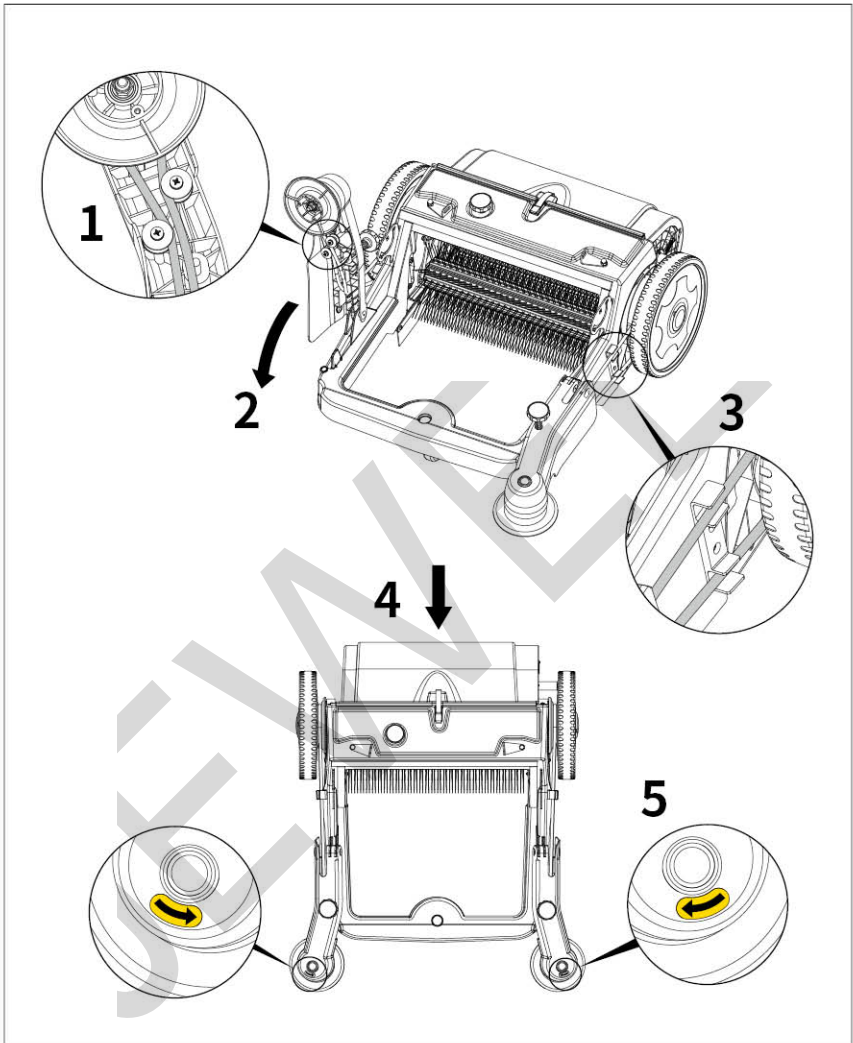
STEP 1

Remove the container and cut the cable tie.

Lift the arm and align the holes, insert the tube and block both sides.

Note: When you take off the arm, don't remove the belt or rotate the arm.

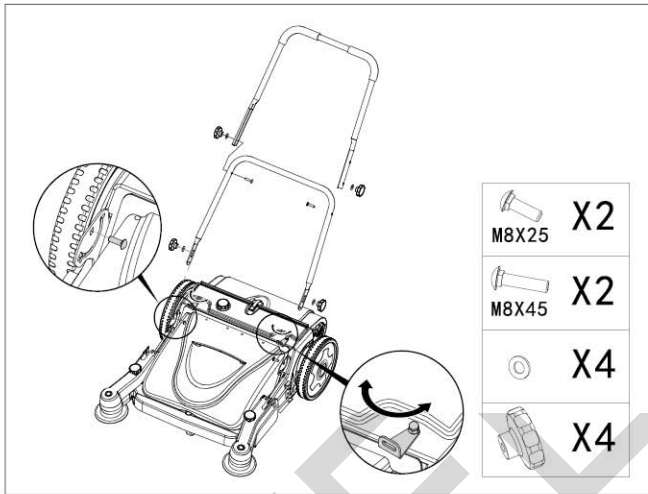
It may cause the belt to turn wrong.



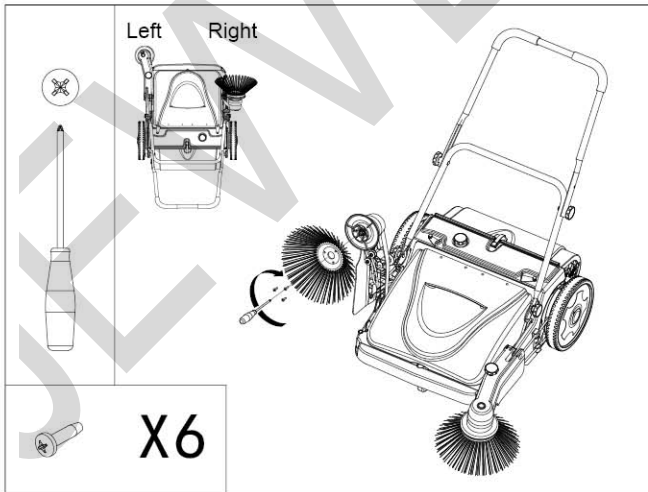
STEP 2

Make the belt into the example 1 and put down the arm. And make the belt into the example 3. Then push the manual sweeper and make sure the rotation direction of the turntable is same as the label.

Note: To avoid confusion, install one side and then install the other side.



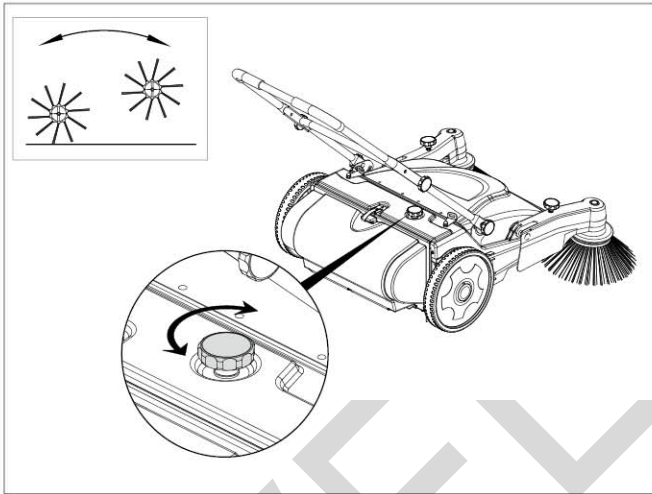
Install the container and lock it. Then install the handle.



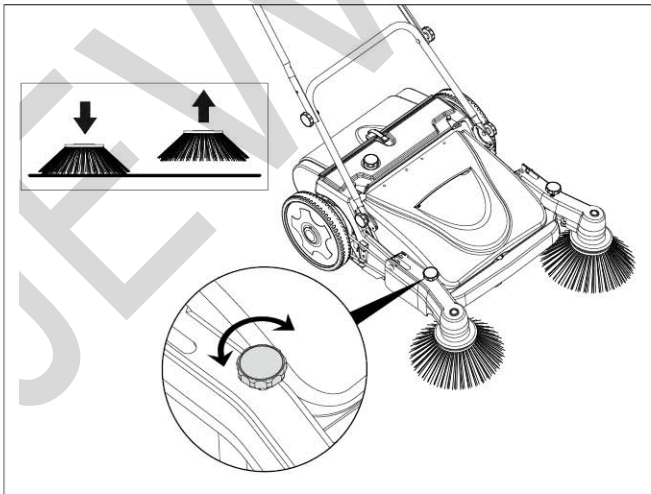
STEP 3

According to the label on the front brush to distinguish the left and right side brush.

Three screws to set up each side brush.

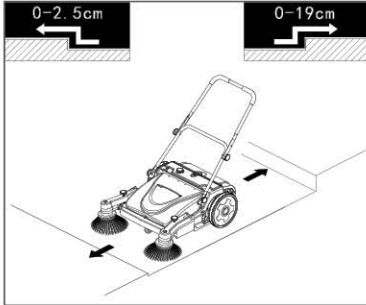


Main brush adjusting handle:
Turn right to lower brush; turn left to lift brush

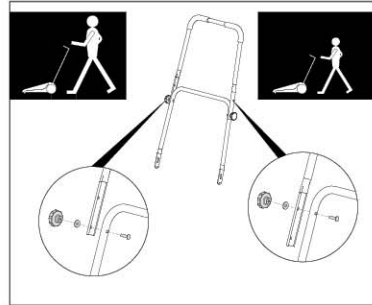


Front brush adjusting handle
Turn right to lower brush; turn left to lift brush

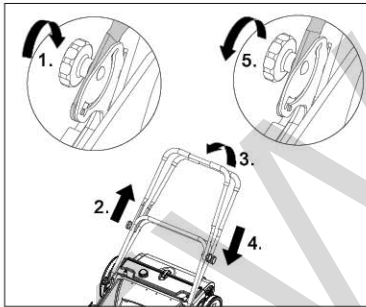
USE AND MAINTENANCE



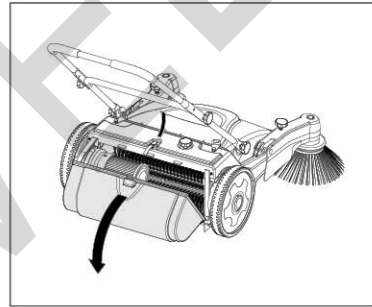
The cleaning surface should be competitive flat and height difference $\leq 2.5\text{cm}$.
Walking the step in the opposite direction $\leq 19\text{cm}$.



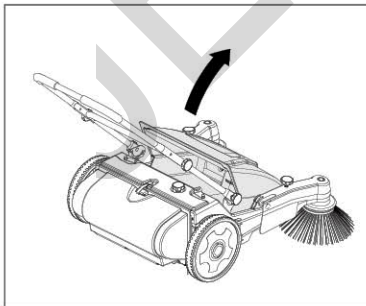
Adjust the height of handle for need.



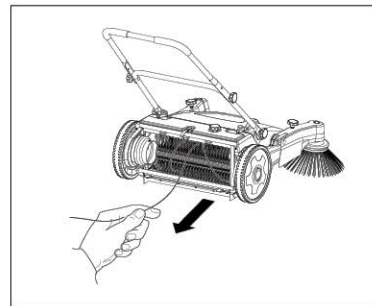
Adjust the angle of handle for need.



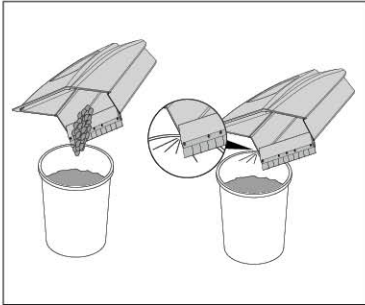
Open metal button then pull back to unload back container.



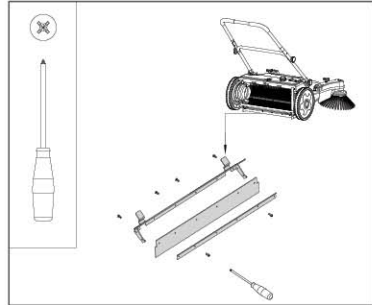
Turn metal knob and lift to unload front container.



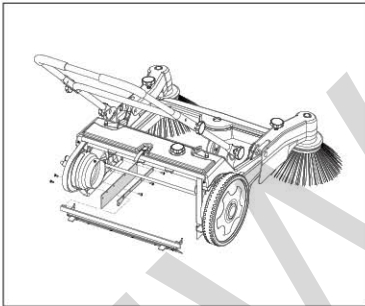
When the main brush is entangled in garbage, it should be taken out by reversing the roller brush.



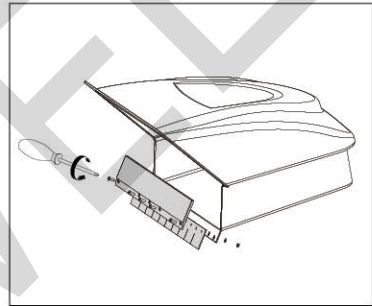
Crashing container is forbidden.



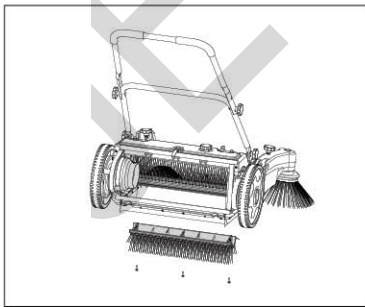
Install the ground lip on the back of main brush.



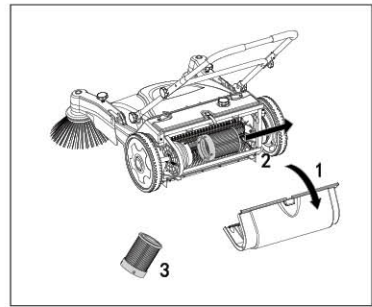
Set up the ground lip of both sides of main brush.



Install container seal baffle.



Main brush dismantling and installing.



Clean filter in time.

SEVEN